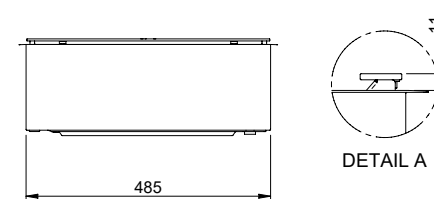
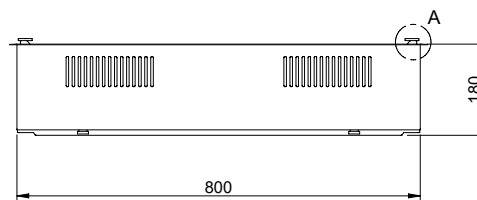


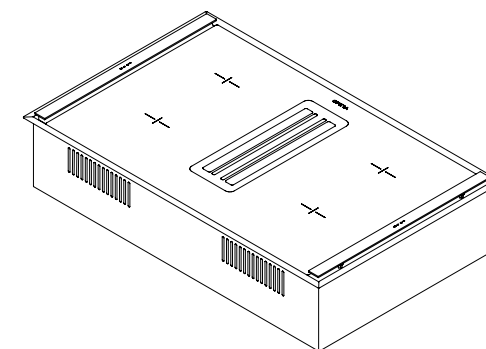
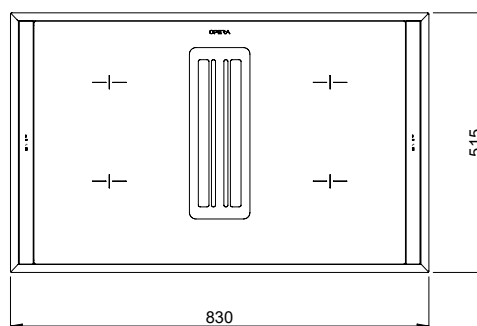
General data

Dimensions (width x depth x height)	830 x 515 x 180 mm
Cooking technology	Induction
Number of cooking zones	4
Cooking surface material	KeraBlack+ glassceramic
Aspiration unit	Brushless blower underneath the hob



Induction cooking data

Multiphase supply voltage	380 – 415 V 2N
Single-phase supply voltage	220 – 240 V 1N
Frequency	50/60 Hz
Two phase power supply/fuse protection	2 x 16 A
Single phase power supply/fuse protection	1 x 32 A
Maximum power consumption	7,4 kW
Cooktop power levels	1 – 9, Power – slider control
Cooking zones size	210 x 191 mm
Cooking zone power output	2,1 kW (3,0 kW- Booster)
Bridge zone power output	3,7 kW
Power limitation	3,7 kW



Aspiration data

Maximum power consumption	170 W
Maximum engine power	720 m ³ /h
Aspiration power levels	1 – 9, Power – slider control
Aspiration mode	Recirculation (C)